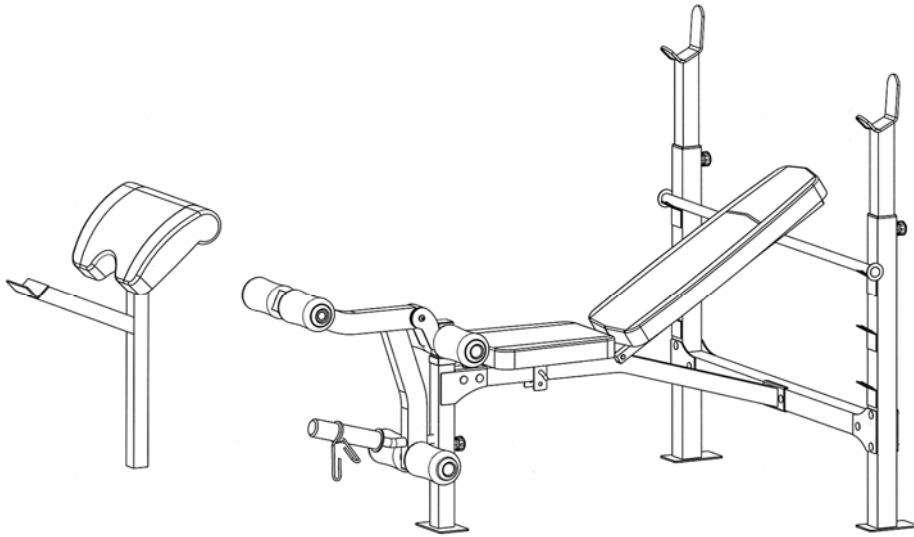


MP EX

F I T N E S S P R O D U C T S

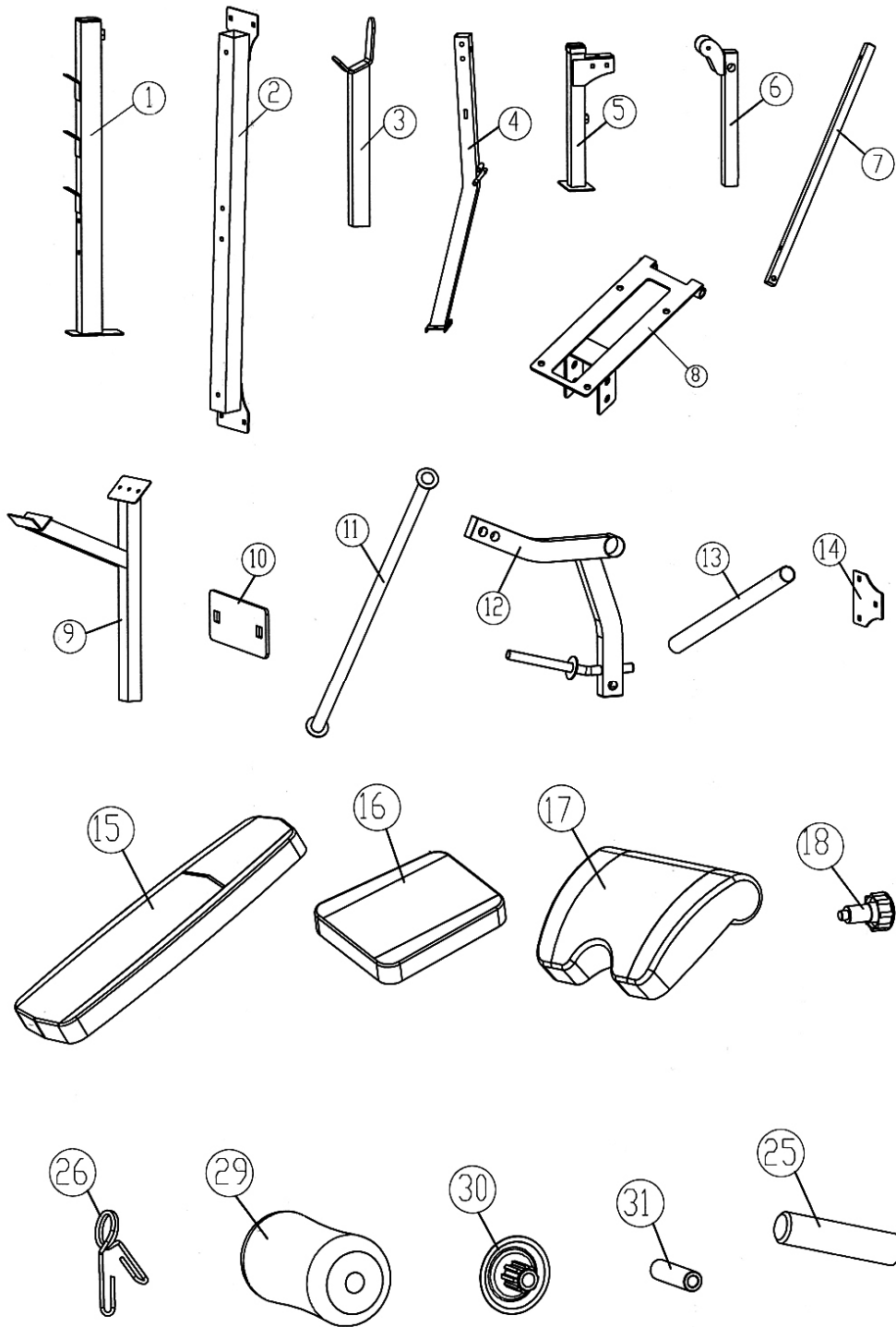
MARCY OLYMPIC BENCH MWB-715N

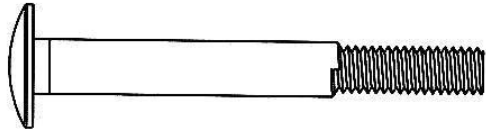


IMPORTANT: Please read the Important Safety Notice and Assembly Information in the Owner's manual before assembling this product.

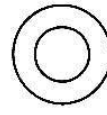
Assembly Manual

110714

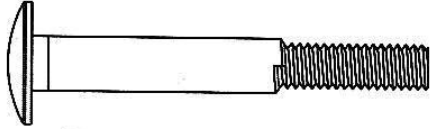




33 x 8



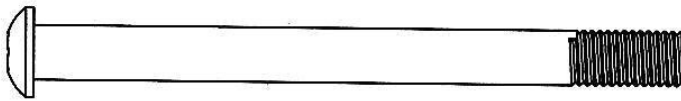
34 x 15



36 x 3



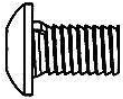
42 x 6



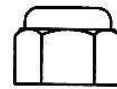
39 x 1



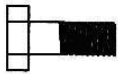
37 x 4



41 x 2



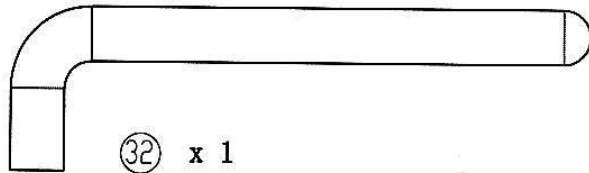
35 x 12



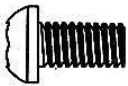
40 x 4



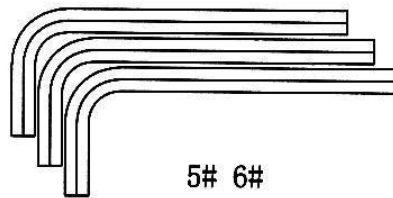
38 x 4



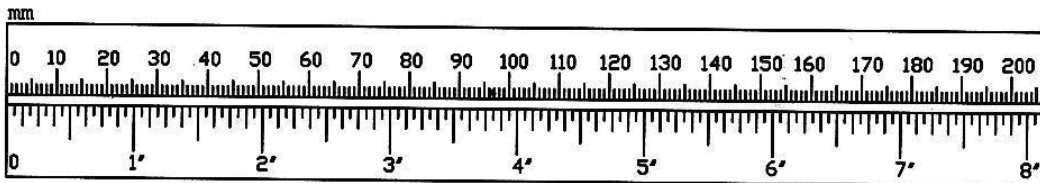
32 x 1



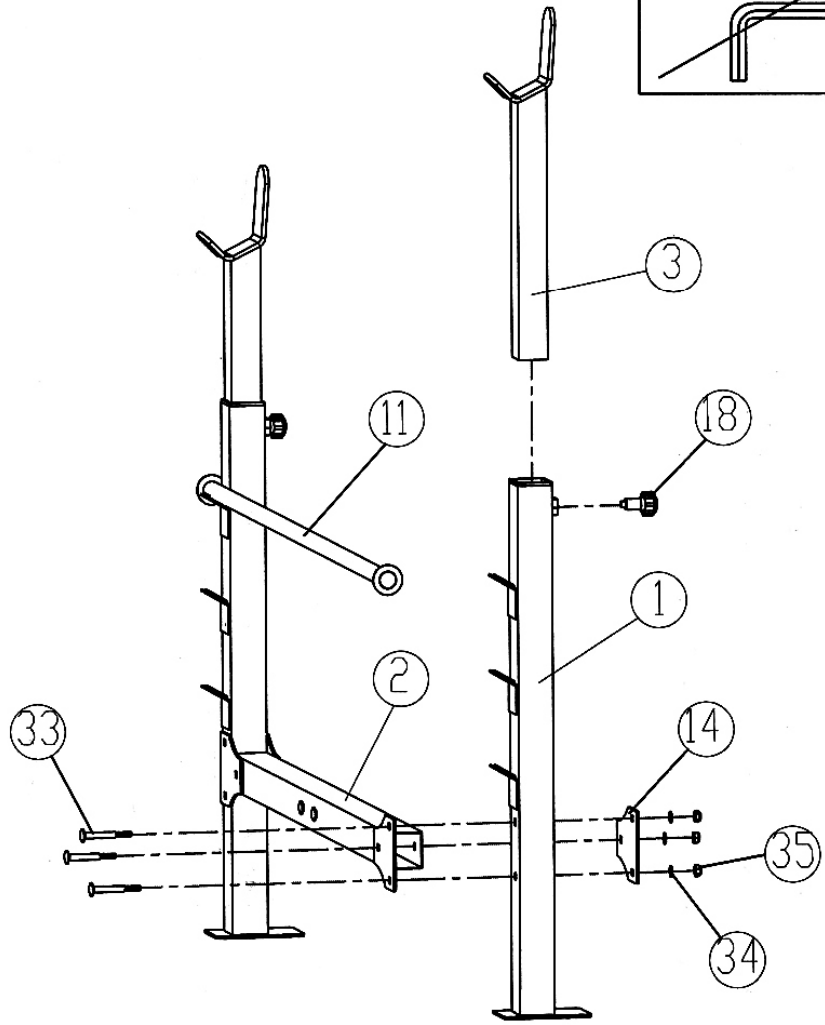
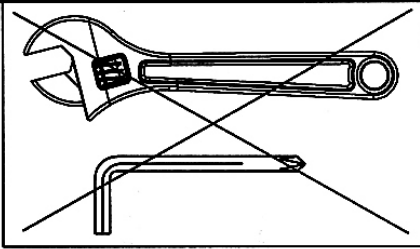
43 x 2



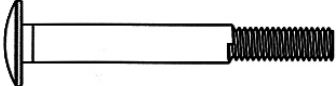
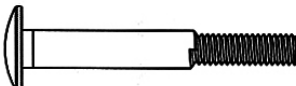


5# 6#

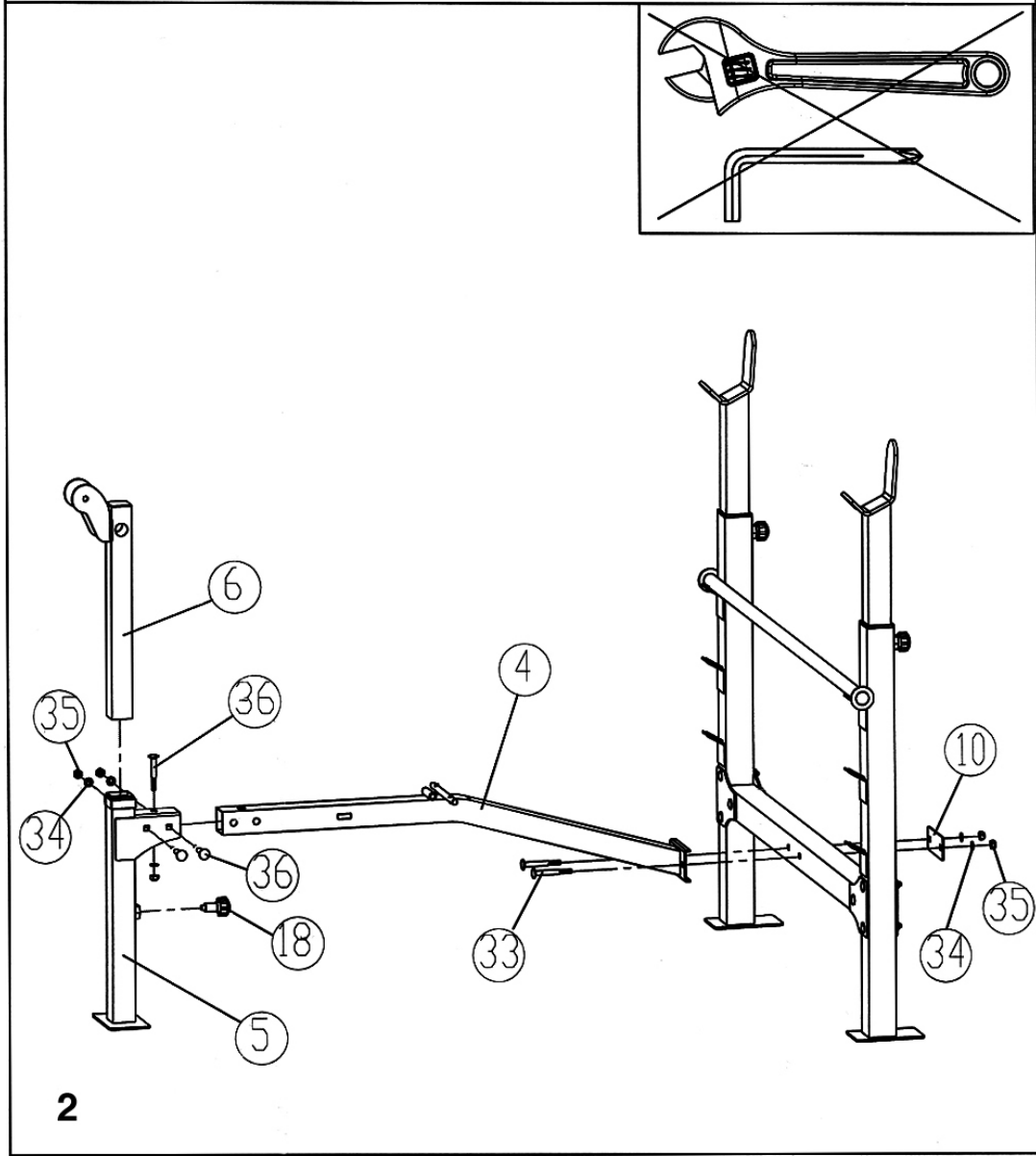
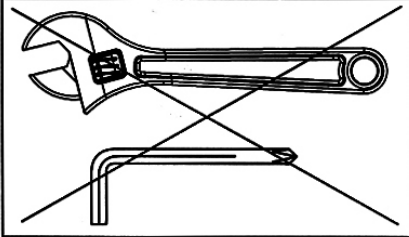


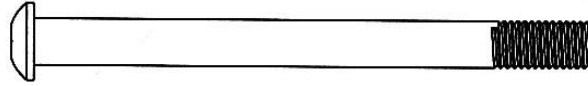

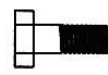
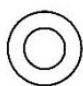

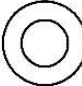
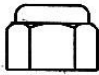
33		M10 x 3 1/8"	6
34		φ 3/4"	6
35		M10	6

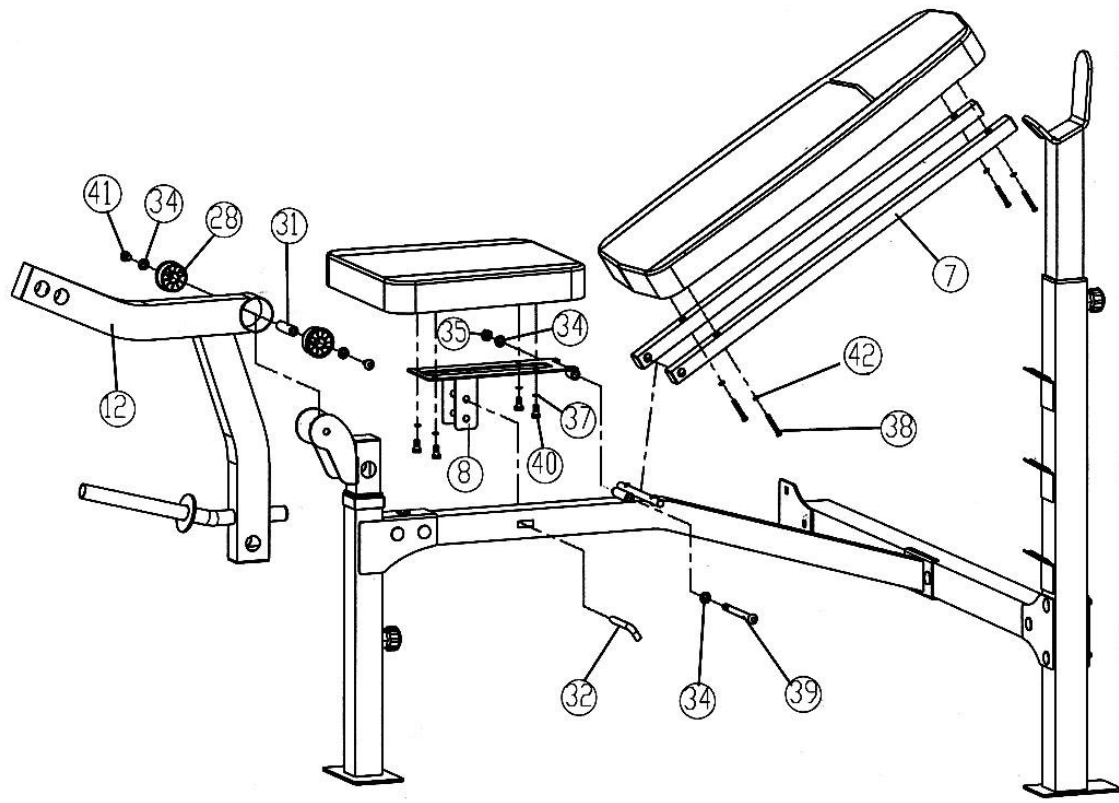
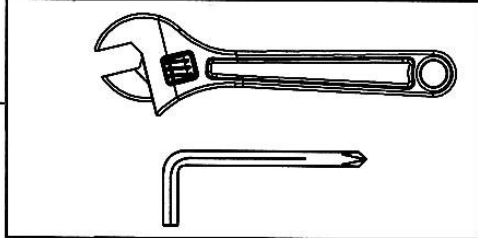


1

③③		M10 × 3 1/8"	2
③⑥		M10 × 2 3/4"	3
③④		φ 3/4"	5
③⑤		M10	5



③⑨		M10 × 4 3/4"	1
③⑧		M8 × 1 1/2"	4
④①		M6 × 5/8"	4
④②		φ 5/8"	4
③⑦		φ 1/2"	4
③④		φ 3/4"	4
③⑤		M10	1



3

43



M8 x 5/8"

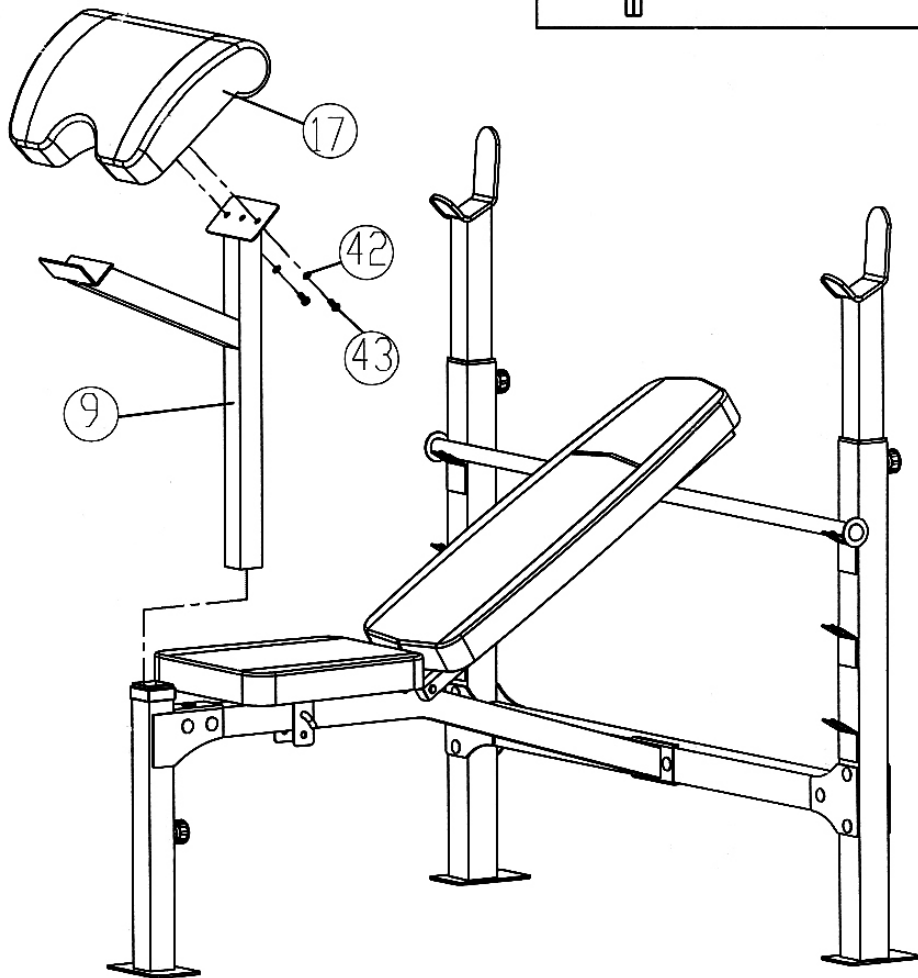
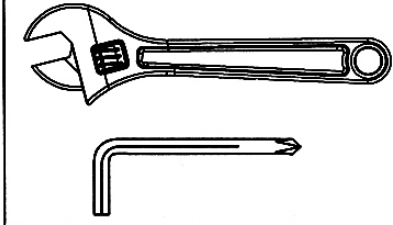
2

42



φ 5/8"

2



5

IMPEX® INC.

2801 S. Towne Ave, Pomona, CA 91766

Tel: (800) 999-8899 Fax: (626) 961-9966

www.impex-fitness.com

info@impex-fitness.com